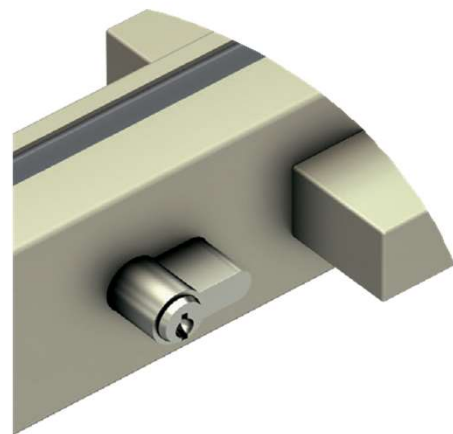
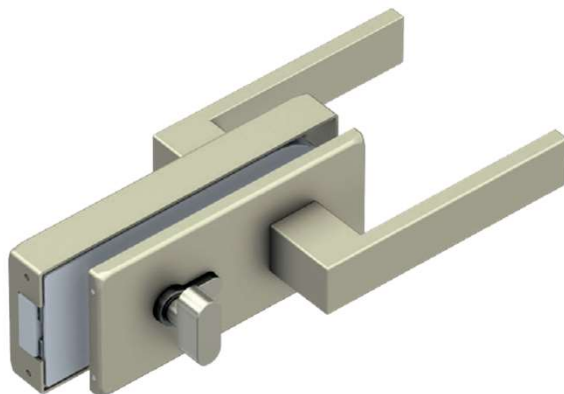
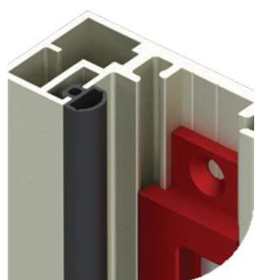


# ALUANDGLASS

PART10M MINIMAL ALUMINIUM PROFILE GLASS DOOR FRAME SYSTEM





## PART10 Minimal System

**ALU AND GLASS** presents a new minimal system for aluminium profile glass door frames.

With technically advanced and aesthetically flawless design, with a choice of an anodised finish or electrostatic painting in a number of color,. the new system is manufactured with top quality materials and stands out for its incredible reliability and functionality.

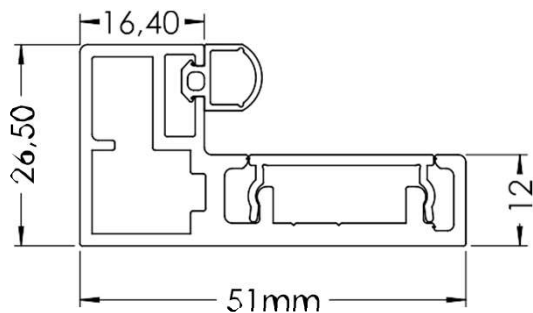
In combination with its design's clever innovations, contributing to a reduction of stock and securing flexible, easy and fast manufacturing, without causing damage and aesthetic imperfections in the frame, the new system is the ideal choice for installation in residential or professional spaces.

## PART10 MINIMAL ALUMINIUM PROFILE FRAME

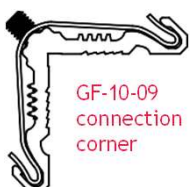
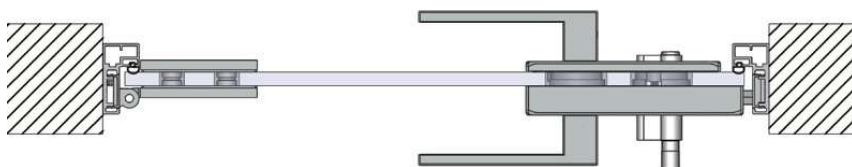


5,5 m

- The frame is manufactured from 2 aluminium profiles, 5,5 meters each in length, resulting in a reduction of stock required and limiting wastage to the materials.
- The aluminium profiles are available in many choices of finish: natural anodised, satiné (inox look) anodised, black anodised or electrostatic painting in a selection of colors from the RAL palette.
- The frame is easily and quickly installed, it harmoniously encases the substructure and creates an aesthetically flawless result.
- Also available with installation of glass panes ranging from 8mm to 10mm in thickness.



- The strike plate of the lock is installed inside special channel of the frame, without making it necessary to predetermine which way the door will open, and without requiring processing of the frame (cutting), which causes damage and aesthetic imperfections.
- By placing the bases of the hinges in the specially formed channel of the frame, the channel acts as a guide for easy, quick, and correct door placement.
- Connection corners are included, for a rigid and strong application on corners.
- Contains a rubber sealant that absorbs vibrations while closing the door is shut, decreases noise, and reduces odour and thermal loss.
- Immediate delivery (includes full technical manual) and technical support option is available.



GF-10-09  
connection  
corner

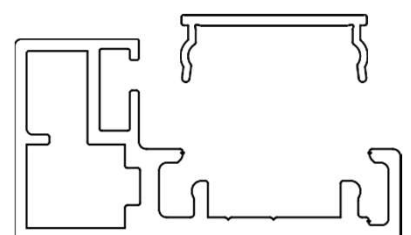


GF-10-10  
clamp rubber  
for 10mm glass panes

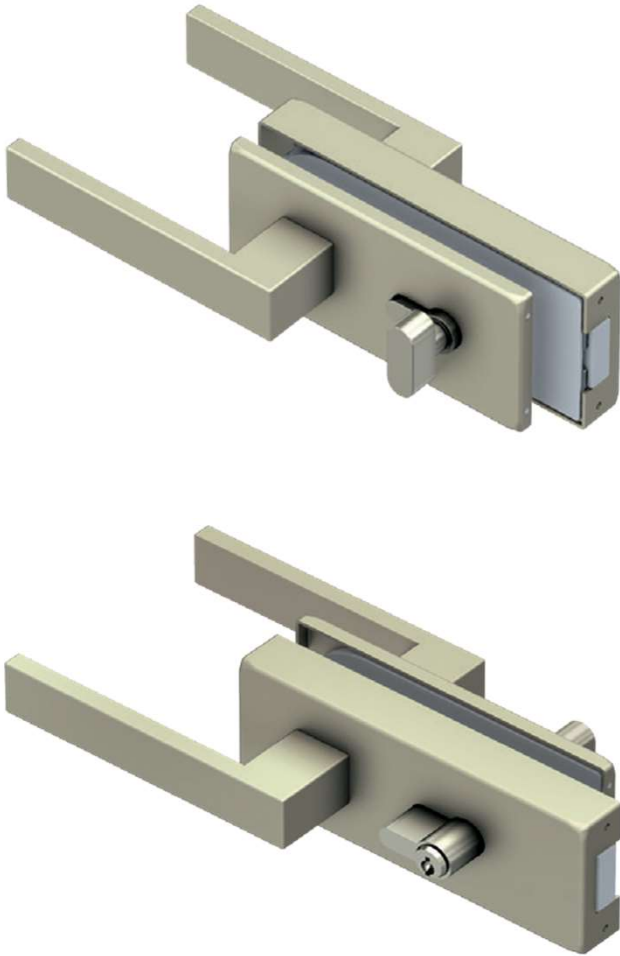


GF-10-8  
clamp rubber  
for 8mm glass panes

GF-10-7  
frame profile



GF-10-2  
frame cover



## GL-100 MAGNETIC LOCK

- Flawless minimal aesthetic design and ergonomic handle.
- Available in many finishing options: natural anodised, satiné (inox look) anodised, black anodised, or electrostatic painting in a selection of colors from RAL palette.
- The magnetic latch offers silent operation and minimises vibration when shutting the door.
- When locked in the open position, the latch is deactivated preventing from people becoming trapped in non-accessible areas, breaking of the glass panes, and damage to the mechanism's parts.
- The internal body of the mechanism is easily adapted for right or left handed doors, distinctly reducing the amount of stock.
- The strike plate is installed in a specially formed channel in the frame using screws, which are completely covered by the frame casing.
- Available with cylinder selection: key-key / button-key / button-opening (for WC doors)
- Immediate delivery (includes full technical manual) and technical support option is available.



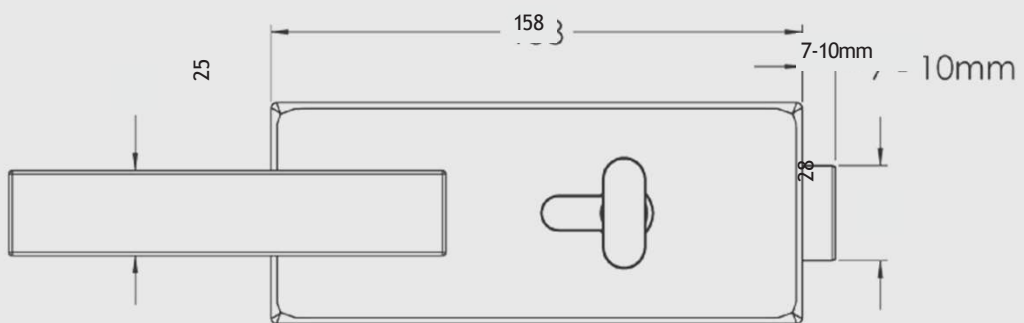
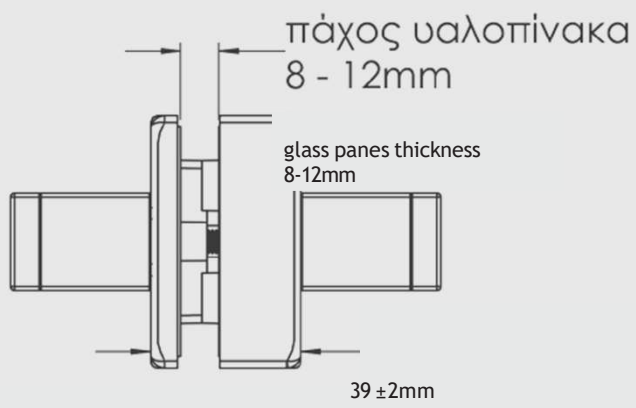
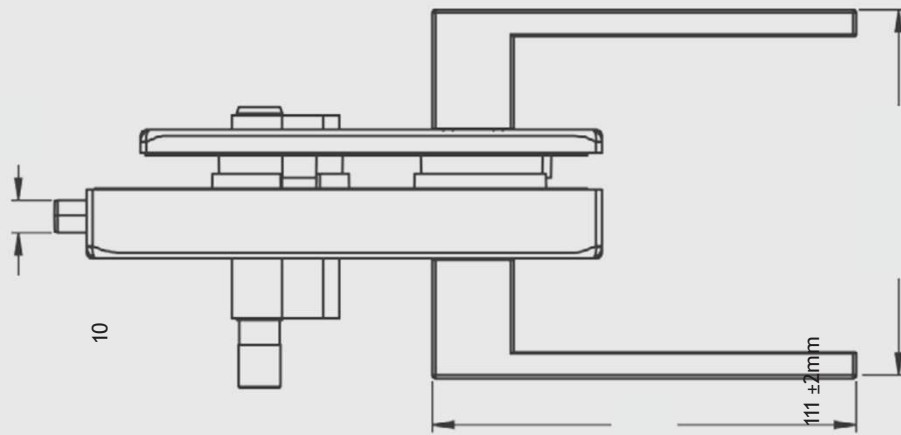
key - key



button - opening

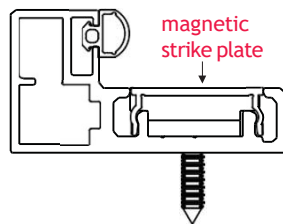


key - button





GL-102  
magnetic  
strike plate



## GL-102 STRIKE PLATE

- It is placed in a specially formed channel in the frame.
- No need to select a predetermined direction of door opening.
- No need for extra work (cutting) on the frame. This eliminating damages and aesthetic imperfections.
- Easy and fast installation, significantly reducing the total installation time of the frame.

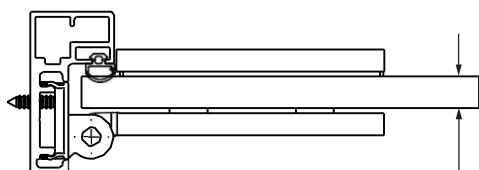
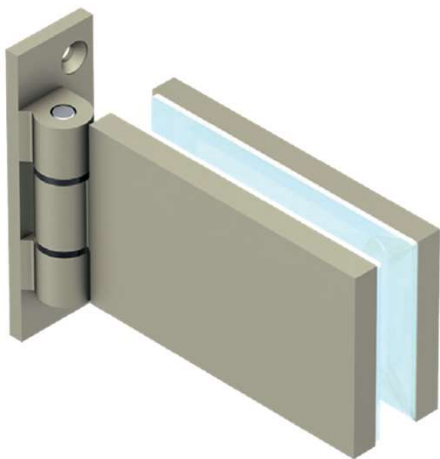
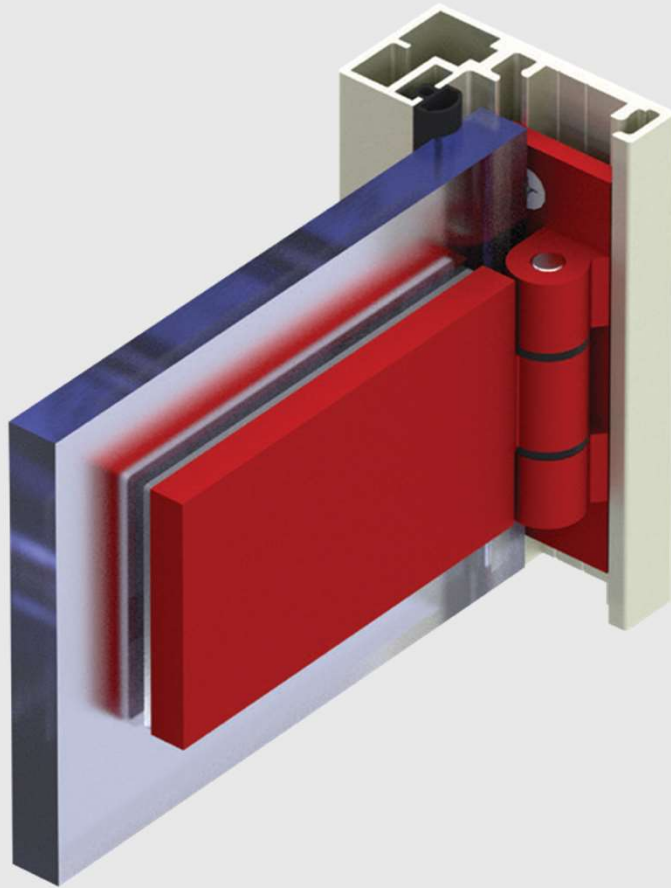


GL-104  
magnetic strike plate  
(universal)

## GL-104 STRIKE PLATE (UNIVERSAL)

- Strike plate designed for any type of aluminium or wooden frame.



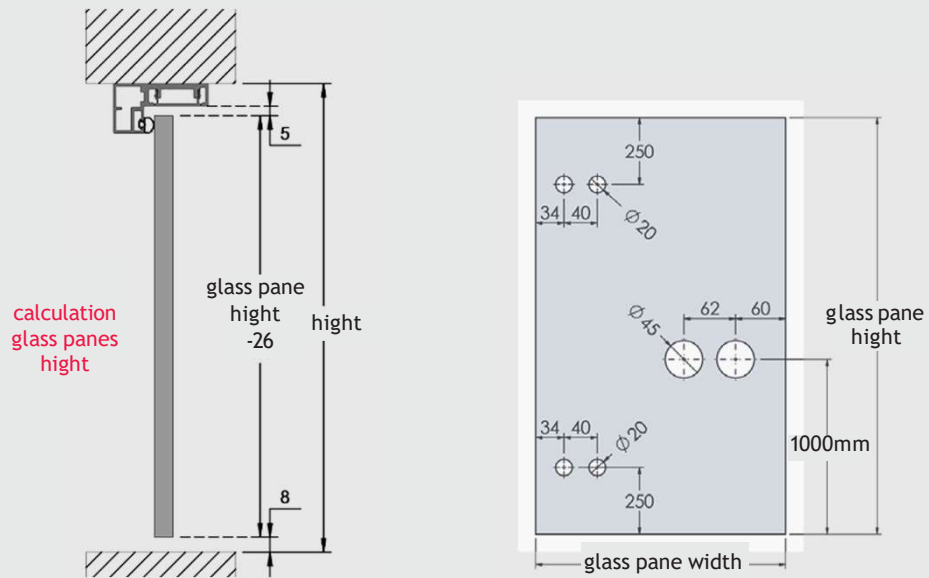
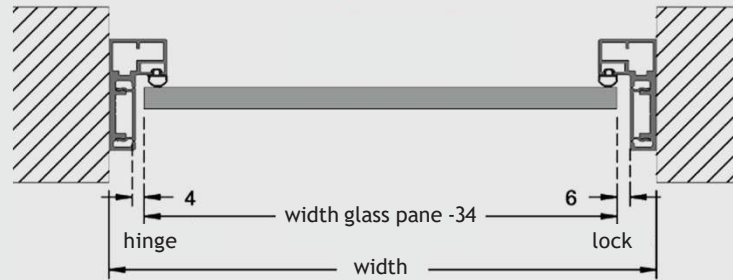


glass panes thickness  
8-12mm

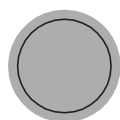
## GH-10F ALUMINIUM HINGES

- For side installation and free-moving (no stops).
- Suitable for glass panes of a thickness of 8mm to 12mm.
- Maximum door width: 1000mm.  
2 hinges are installed for doors weighting up to 50kgr,  
3 hinges are installed for doors weighting from 51kgr  
to 75kgr.
- Available in many finishing options: natural anodised,  
satiné (inox look) anodised, black anodised, or  
electrostatic painting in a selection of shades from the  
RAL palette.
- Immediate delivery (includes full technical manual)  
and technical support option is available.

## CALCULATION OF GLASS PANES



## FINISHING OPTIONS AND AVAILABLE COLORS



Natural anodizing



Satiné (inox look) anodizing



Black anodizing



Powder coating with color options from the RAL palette







## **ALU AND GLASS IKE**

---

### **Factory**

Chlois 70  
P.C. 14452 metamorphosi, Athens  
Greece

### **Athens Office**

Tzaferi Street 16  
P.C. 11854 Gazi, Athens  
Greece

**T** +30 69 4054 4755  
**E** [sales@aluandglass.com](mailto:sales@aluandglass.com)  
**W** [aluandglass.com](http://aluandglass.com)

# **ALUANDGLASS**