

C3500

Style
Setter

ID ↘

Simplicity at its best, C3500 is the new generation curtain wall system, which offers maximum transparency due to minimal face widths of just 35 mm wide. The ultra-thin lines of the system allow your living spaces to be filled with panoramic views and natural light.

- Slim facade design allows for maximum light penetration
- Transparent facade offers breathtaking views
- Two body types in contemporary and industrial -look- design
- Exceptional thermal and acoustic insulation
- Combines perfectly with the W8500^{HS} for large facade frames
- Ideally suited for luxury residential and commercial environments

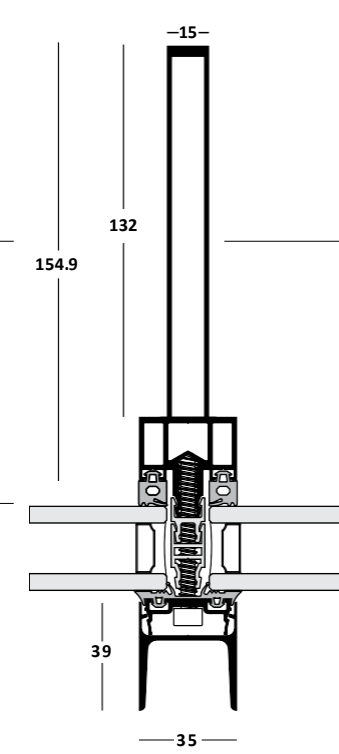
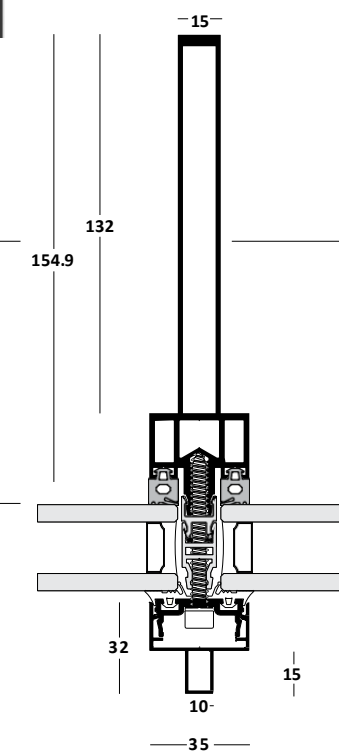
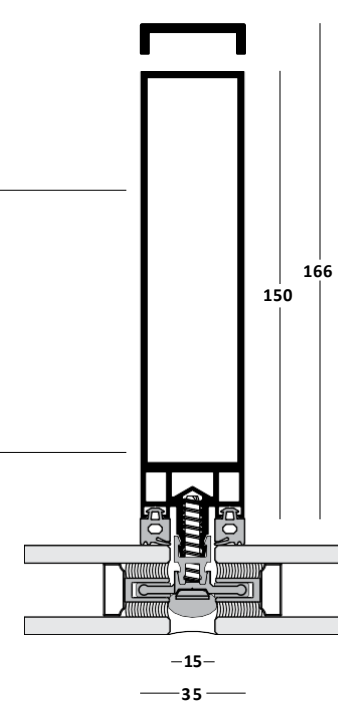
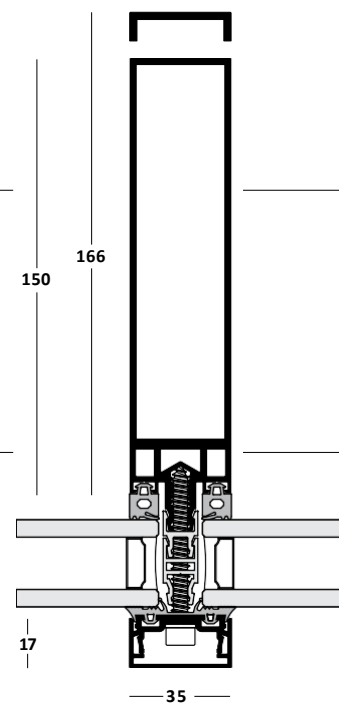
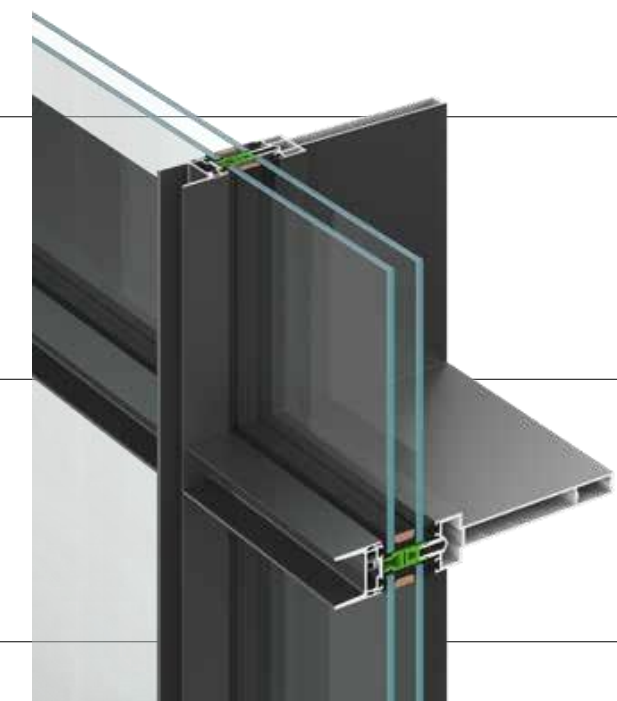
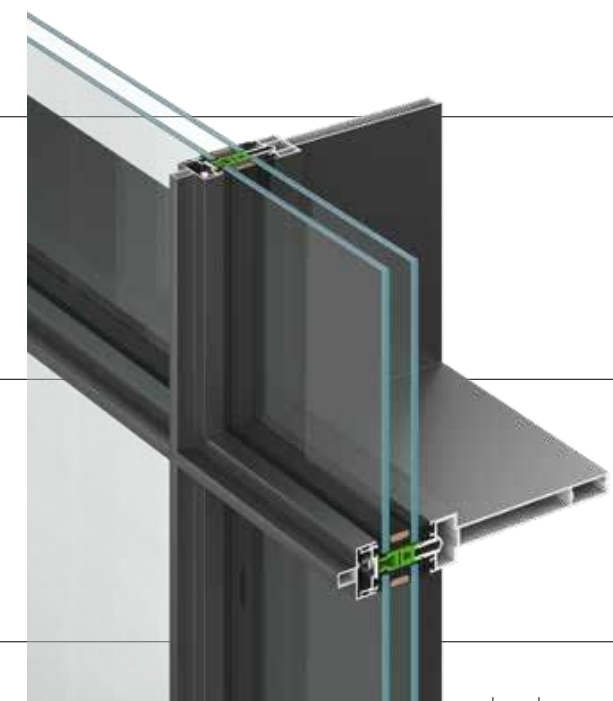
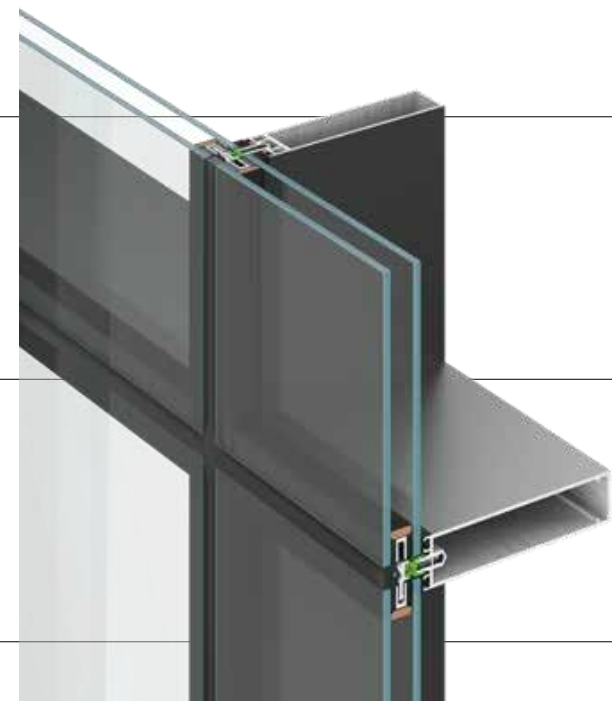
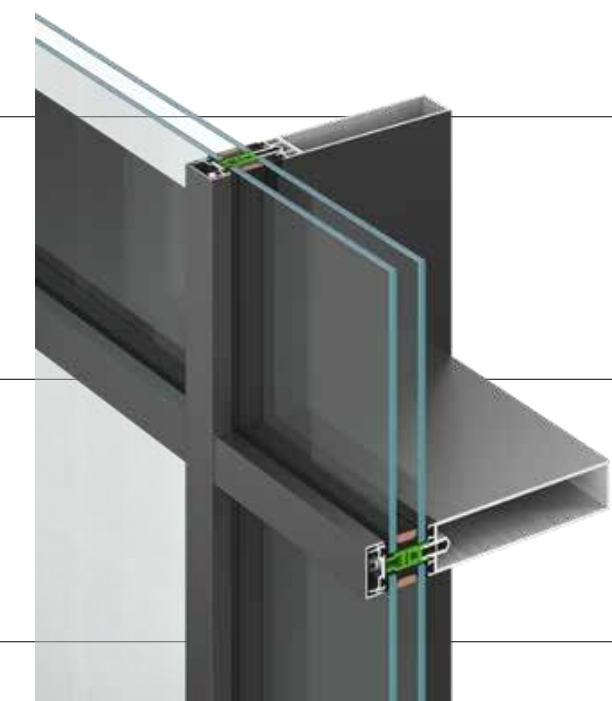
TC

Standard

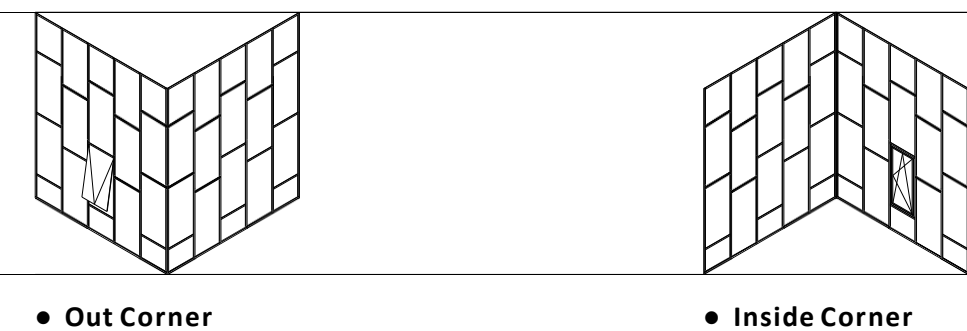
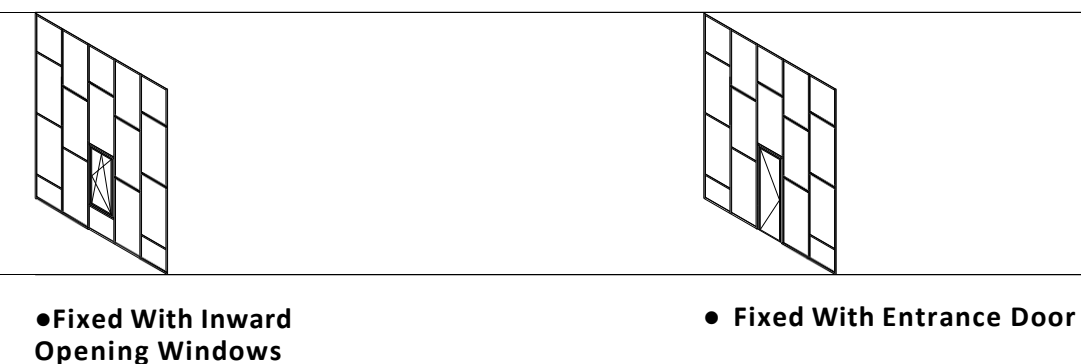
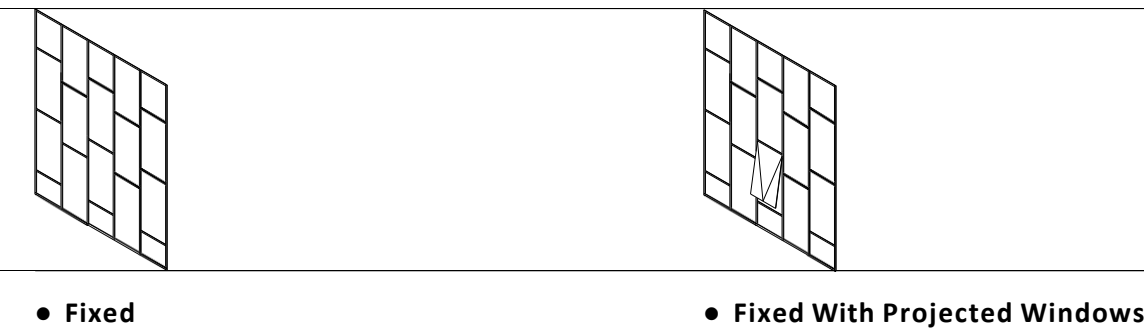
Structural

Retro

Industrial



→ System Configurations



→ Technical Data

○ Category	↘Value
• Exterior Aesthetics	→Standard / Structural / Retro / Industrial
• Exterior Visible Aluminum Face	→35 mm
• Column Depth	→Up to 185 mm
• Transom Depth	→Up to 192.5 mm
• Glass Thicknesses	→From 6 to 48 mm
• Glazing Fixed Method	→Pressure plate / Structural
• Windows Hardware	→Visible / Concealed
• Type Of Thermal Insulation	→Polyamides, Insulation Foam

→ System Performances

○ Category	↘Value
• Thermal	→Uf values from 2.0 W / (m ² K)
• Air Permeability	→Class AE 1200
• Water Tightness	→Class RE 1200
• Wind Load Resistance	→Design Load ± 14KN/m ² Safety Load ± 2.1KN/m ²
• Acoustic	→45 dB

